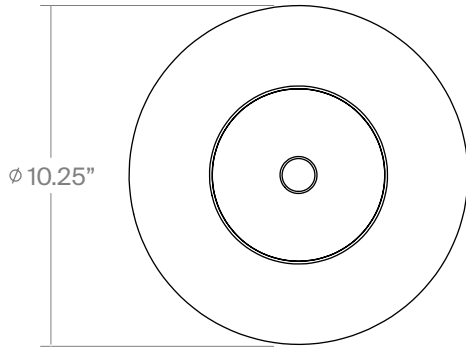
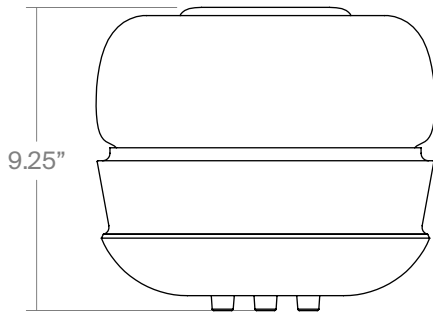


RAMSON TABLE	RAM-T
TEARSHEET	STUDIO LUDDITE



(TOP)



(FRONT)



(SIDE)

The Ramson's bulbous form originates from a solid block of stone, ornamented with subtle geometry and carved to accommodate its glass counterpart. In contrast to the fixture's base, the glass shade is completely void of edges, taking shape through a single curve. In its entirety, the Ramson sits on three tapered solid brass feet.

STUDIO LUDDITE

2350 BROADWAY STUDIO 101  
NEW YORK, NY 10024

917 423 2443  
SALES@STUDIOLUDDITE.COM

DIMENSIONS	HEIGHT	9.25"
	WIDTH	10.25"
	DEPTH	10.25"
	WEIGHT	20.5 LBS
TYPE	TABLE LAMP	
LAMPING	G9 BULB	
CERTIFICATIONS	UL CERTIFIED	



RAMSON TABLE SHOWN IN

BLACKENED BRASS  
TRAVERTINE

STUDIO LUDDITE

2350 BROADWAY STUDIO 101  
NEW YORK, NY 10024

917 423 2443  
SALES@STUDIOLUDDITE.COM

STONE OPTIONS

PEACOCK GREEN  
FRENCH GOLD  
TRAVERTINE  
CALACATTA VIOLA  
STATUARIO WHITE  
VERDE ALPI  
ROSSO LEVANTO  
NERO MARQUINA

METAL FINISHES

AGED BRASS  
AGED SILVER  
BLACKENED BRASS