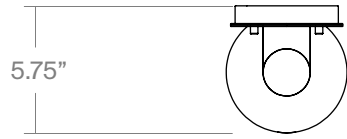
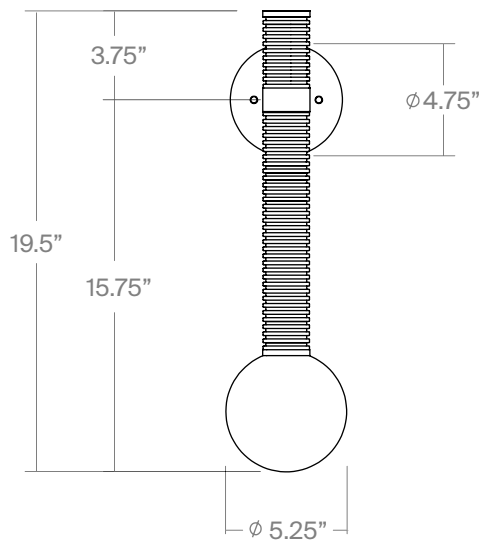


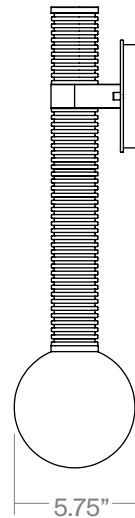
PELL SCONCE	PEL-W
TEARSHEET	STUDIO LUDDITE



(TOP)



(FRONT)



(SIDE)

The Pell features stacked leather hide disks that capture the natural imperfections of the leather's edge. The sconce's cylindrical body is held in place by a simple brass backplate.

STUDIO LUDDITE

2350 BROADWAY STUDIO 101
NEW YORK, NY 10024

917 423 2443
SALES@STUDIOLUDDITE.COM

DIMENSIONS	HEIGHT	19.5"
	WIDTH	5.25"
	DEPTH	5.75"
	WEIGHT	4 LBS
TYPE	WALL SCONCE	
LAMPIGN	G9 BULB	
CERTIFICATIONS	UL CERTIFIED	



PELL SCONCE SHOWN IN

AGED BRASS
NATURAL LEATHER

STUDIO LUDDITE

2350 BROADWAY STUDIO 101
NEW YORK, NY 10024

917 423 2443
SALES@STUDIOLUDDITE.COM

LEATHER FINISHES	BLACK BROWN NATURAL
METAL FINISHES	AGED BRASS AGED SILVER BLACKENED BRASS