

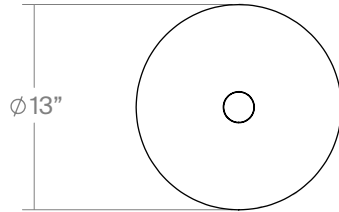
MALT TABLE

MAL-T

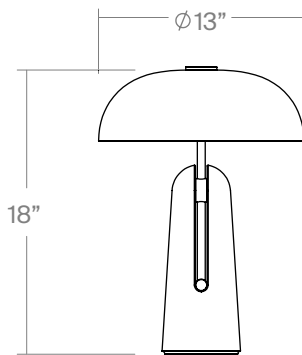
TEARSHEET

STUDIO LUDDITE

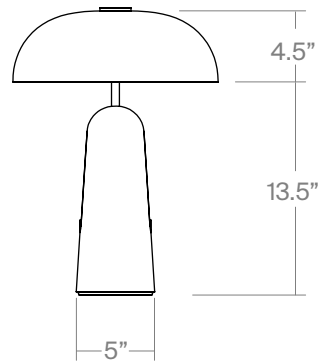
©2024 STUDIO LUDDITE



(TOP)



(FRONT)



(SIDE)

The Malt's fastening and use of negative space inform its unique shape. Solid brass supports rest in a stone base, functioning as the link for what extends above. A brass shade illuminates the fixture's nested detail.

STUDIO LUDDITE

2350 BROADWAY STUDIO 101  
NEW YORK, NY 10024

917 423 2443  
SALES@STUDIOLUDDITE.COM

DIMENSIONS	HEIGHT	18"
	WIDTH	13"
	DEPTH	13"
	WEIGHT	18 LBS
TYPE	TABLE LAMP	
LAMPING	(X2) E26 BULBS	
CERTIFICATIONS	UL CERTIFIED	



MALT TABLE SHOWN IN

BLACKENED BRASS  
TRAVERTINE

STUDIO LUDDITE

2350 BROADWAY STUDIO 101  
NEW YORK, NY 10024

917 423 2443  
SALES@STUDIOLUDDITE.COM

STONE OPTIONS

PEACOCK GREEN  
FRENCH GOLD  
TRAVERTINE  
CALACATTA VIOLA  
STATUARIO WHITE  
VERDE ALPI  
ROSSO LEVANTO  
NERO MARQUINA

METAL FINISHES

AGED BRASS  
AGED SILVER  
BLACKENED BRASS