

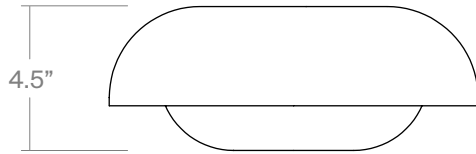
DORMUS SCONCE

DOR-W

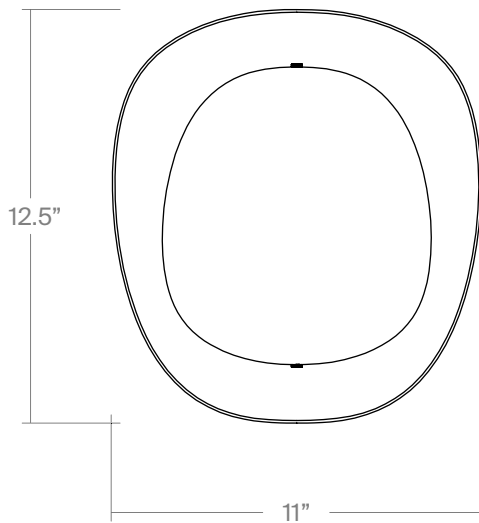
TEARSHEET

STUDIO LUDDITE

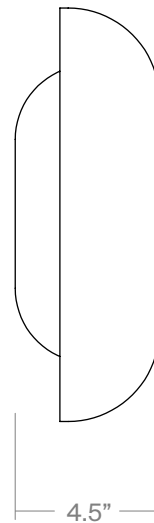
©2024 STUDIO LUDDITE



(TOP)



(FRONT)



(SIDE)

The Dormus plays with a single amorphous form in two orientations; its brass exterior holds an inner glass shade of the same shape but inverted, creating a compelling demonstration of negative space between the two components.

STUDIO LUDDITE

2350 BROADWAY STUDIO 101  
NEW YORK, NY 10024

917 423 2443  
SALES@STUDIOLUDDITE.COM

DIMENSIONS	HEIGHT	12.5"
	WIDTH	11"
	DEPTH	4.5"
	WEIGHT	6 LBS
TYPE	SCONCE	
LAMPING	G9 BULB	
CERTIFICATIONS	UL CERTIFIED	



DORMUS SCONCE SHOWN IN  
BLACKENED BRASS

STUDIO LUDDITE

2350 BROADWAY STUDIO 101  
NEW YORK, NY 10024

917 423 2443  
SALES@STUDIOLUDDITE.COM

METAL FINISHES

AGED BRASS  
AGED SILVER  
BLACKENED BRASS